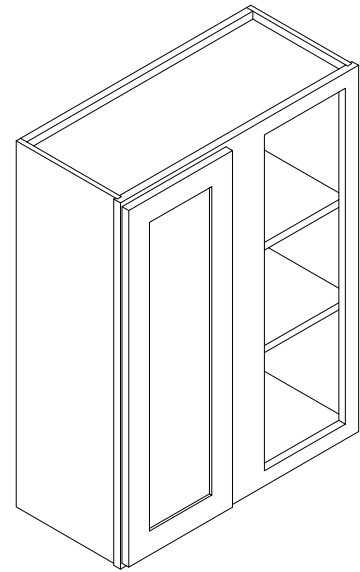




# ASSEMBLY INSTRUCTIONS

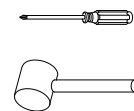
WB2736



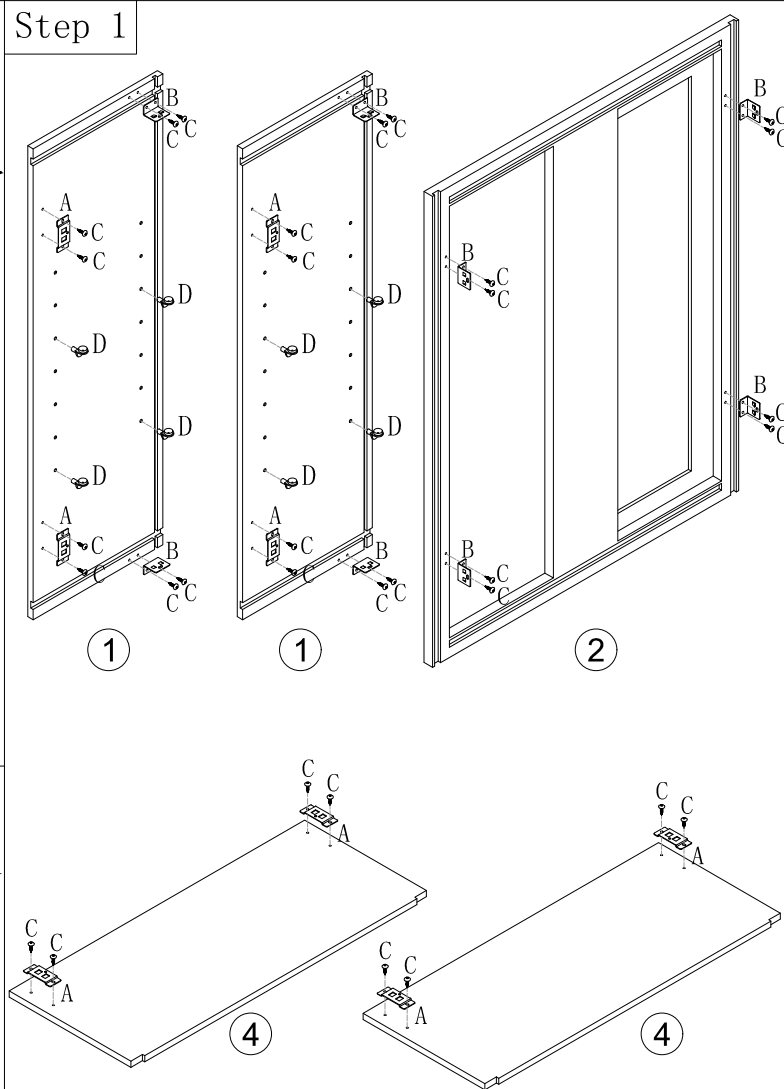
### Parts list

NO.	Parts	QTY
A		8
B		8
C		40
D		8
E		2

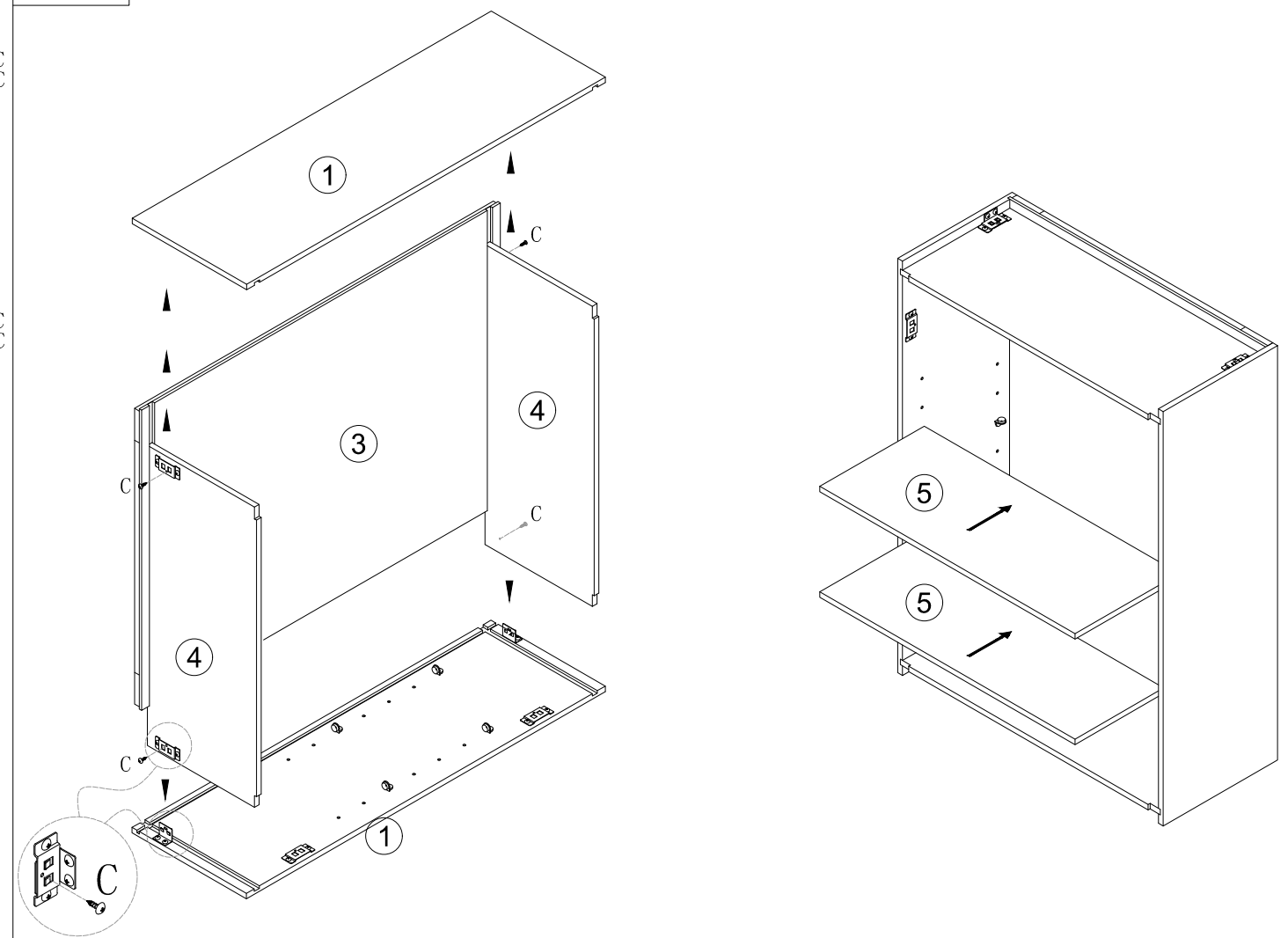
### Tools (required but not provided)



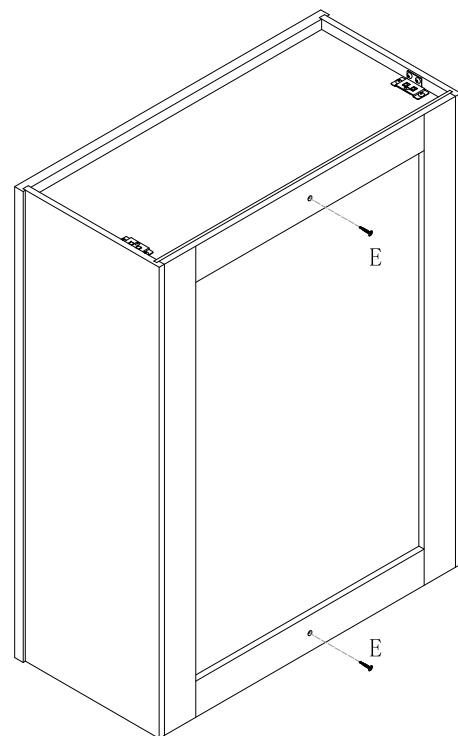
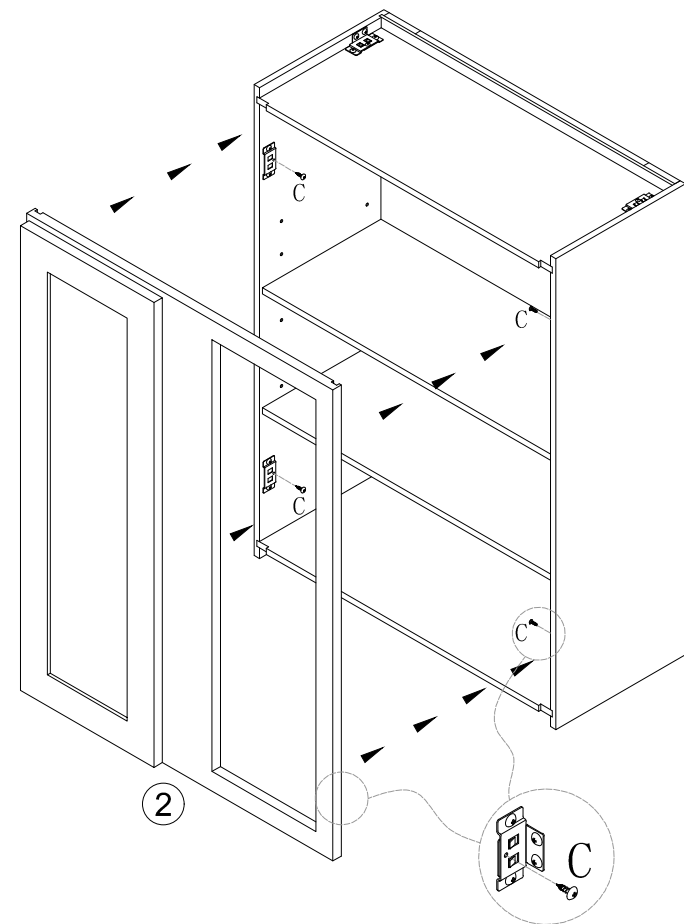
### Step 1



### Step 2



### Step 3



### Finished

